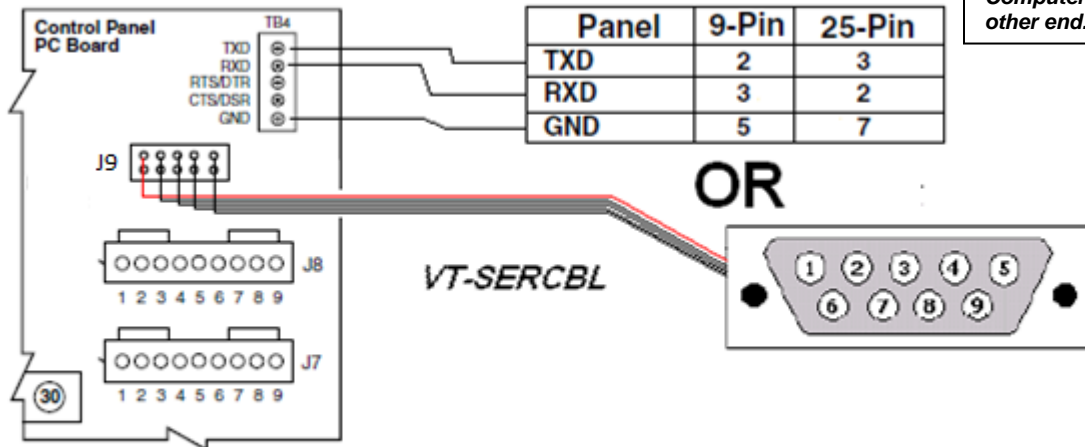


Direct Wire Downloading Set up and Troubleshooting for VISTA TURBO PANELS

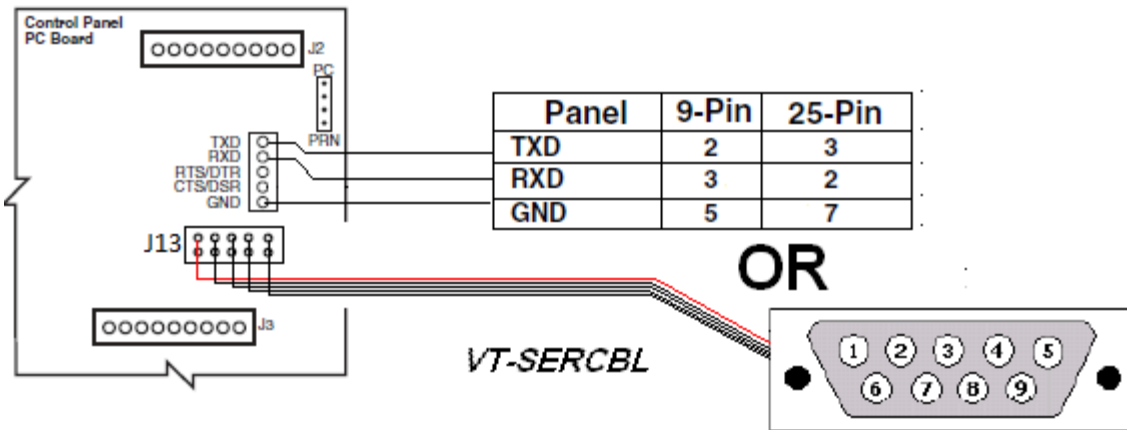
Wiring:

Vista-128/250BPT



Customer will need to make their own cable with flying leads on one end to connect to panel TB4, and desired Computer connector on the other end.

Vista-32/128/250FBPT



Panel Programming:

Field	Description	Default Value
*32	Account #	15 15 15 15 (FFFF)
*36	CSID #	15 15 15 15 15 15 15 15 (FFFFFFF)

Note:

- The above configuration is for using the first time communication option (see below) in compass: